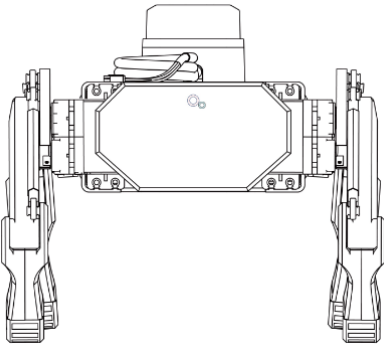


AI

**ROBOTICS
TECHNOLOGY
EDGE COMPUTING**

QADIR
CORPORATION
ROBOTICS

www.qadircorp.com



【全地形智能夥伴】機械人 P105 v3 正式登場！機 動靈活、智慧感知，跨越極限地形的智能平台

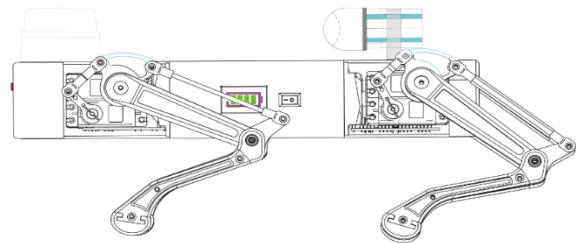
卡德爾 2025年 3月 最新推出的四足機器人 P105 v3，結合先進的感測技術、人工智慧與高穩定機構設計，能靈活穿越崎嶇地形、室內空間與複雜環境，是一款面向未來的行動智能平台。

🔍 核心特點：

- ✔️ 四足穩定行走 | 可跨越台階、不平地與坡道
- ✔️ 智慧導航系統 | 內建 LiDAR 與視覺模組，自主避障與地圖建構
- ✔️ 可掛載多元模組 | AI 相機、機械臂、感測器等應用彈性
- ✔️ 遠端操控 | 支援 Wi-Fi / 5G 遠距操作與即時影像串流

🏭 應用場景：

- 🔧 工業巡檢：自動巡視大型廠區與危險區域
- 🚒 災害救援：深入人員難以抵達的瓦礫堆、地下空間
- 🎓 教育研發：AI、機器人控制、SLAM 演算法教學平台
- 👤 公共互動：博物館、展覽場館的智慧導覽與互動機器人



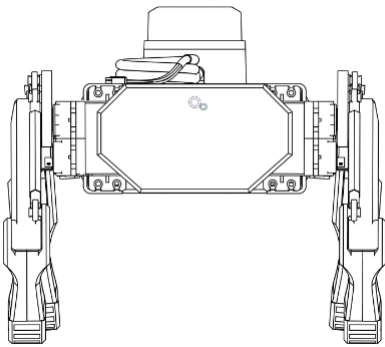
🎉 立即預約展示 / 技術諮詢

台灣 | 24892 新北市新莊區五權一路7號7樓之5

☎️ +886-2-2298-4178

✉️ service@qadircorp.com 🌐 <https://www.qadircorp.com>

2025 / 03 Introducing Quadruped Robot – Your All-Terrain Robotic Companion

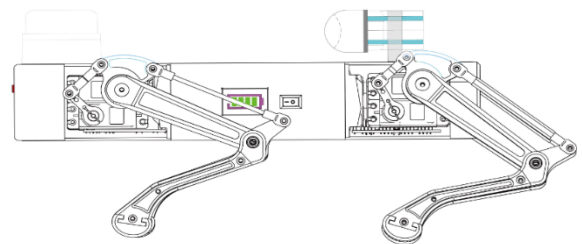


Agile. Intelligent. Built for real-world missions.





Qadir Quadruped Robot P105 v3, the latest quadruped robot from Qadir Corporation, redefines mobile robotics with its robust mobility, smart navigation, and adaptive payload system. Designed for both indoor and outdoor environments, Quadruped Robot can walk, sense, and interact like no other.

Key Features:

- ✓ All-Terrain Locomotion – Climbs stairs, handles uneven surfaces, and slopes
- ✓ Smart Perception – Equipped with LiDAR, cameras, and autonomous mapping
- ✓ Modular Design – Supports AI cameras, robotic arms, sensors, and more
- ✓ Remote Connectivity – Controlled via cloud, Wi-Fi, or 5G with live video feed




Ideal for:

-  Industrial Inspection – Safe, autonomous monitoring in hazardous zones
-  Search & Rescue – Accesses collapsed buildings and underground areas
-  Education & Research – Perfect for AI, SLAM, and robotics development
-  Public Interaction – For museums, exhibitions, and intelligent guidance

Book a live demo or request a tech brief today

Taiwan | 7, Wuquan 1st Road #7F-5, Xinzhuang District New Taipei City, 24892 Taiwan

 +886-2-2298-4178

 service@qadircorp.com  <https://www.qadircorp.com>